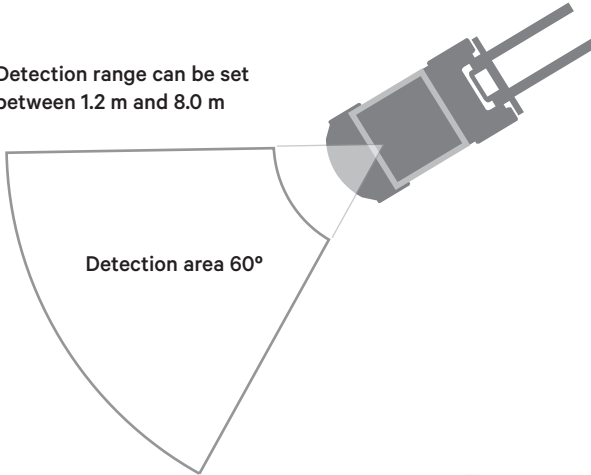


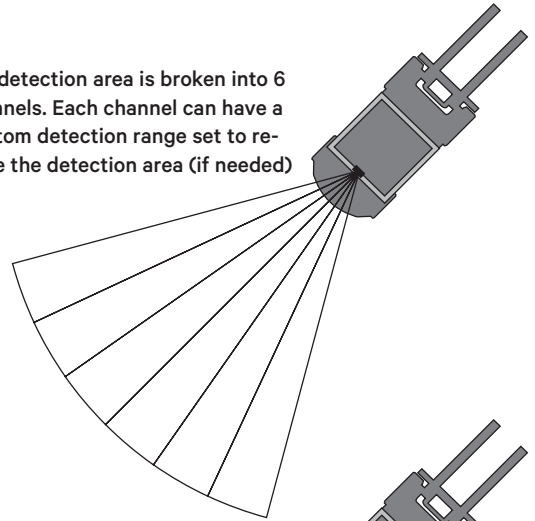


Seen IRIS 860 detection area example

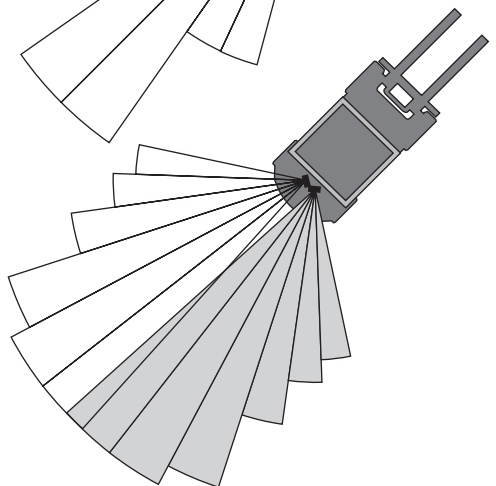
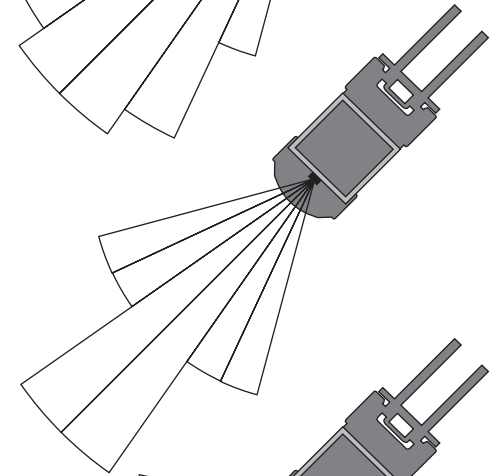
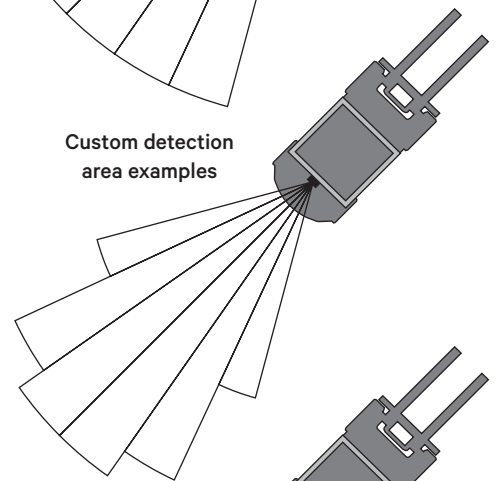
Detection range can be set between 1.2 m and 8.0 m



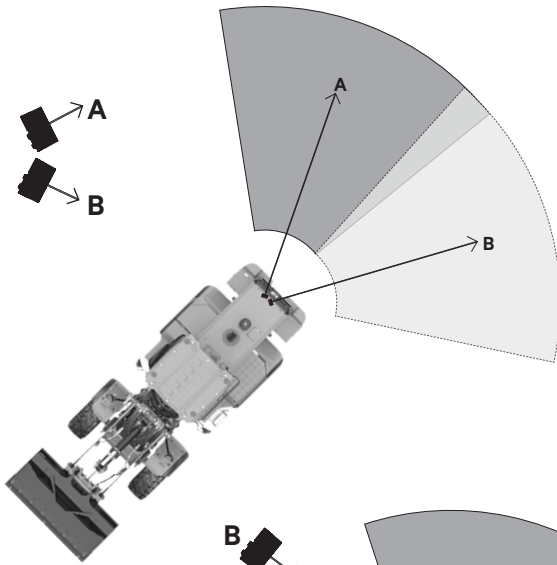
The detection area is broken into 6 channels. Each channel can have a custom detection range set to re-shape the detection area (if needed)



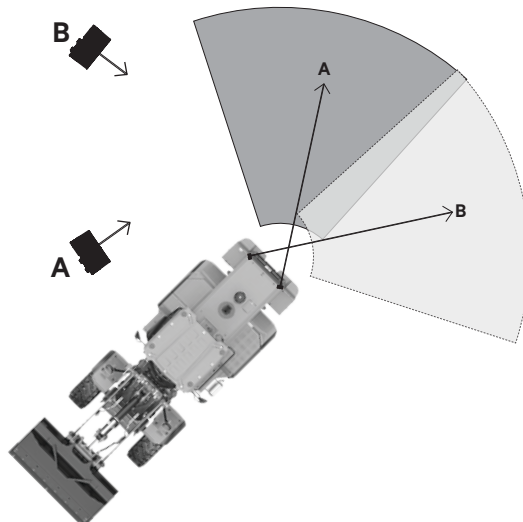
Custom detection area examples



Twin sensor asymmetric custom detection area



Side-by-side example



Cross-over example